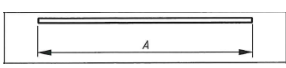
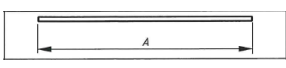
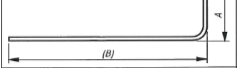
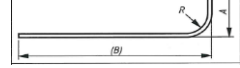




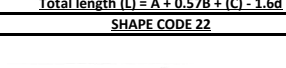
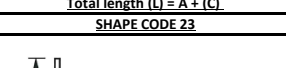
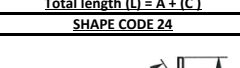
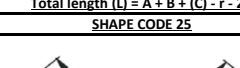
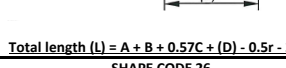
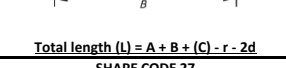
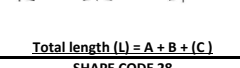
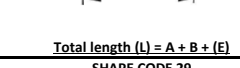



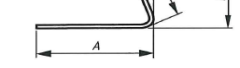


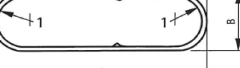
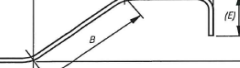




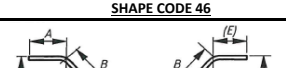
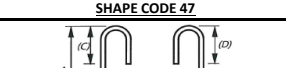

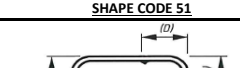
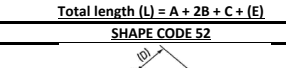
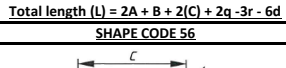
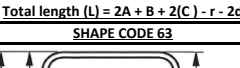
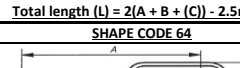


<p>SHAPE CODE 00</p>  <p>Total length (L) = A</p>	<p>SHAPE CODE 01</p>  <p>Total length (L) = A, stock lengths</p>	<p>SHAPE CODE 11</p>  <p>Total length (L) = A + (B) - 0.5r - d</p>	<p>SHAPE CODE 12</p>  <p>Total length (L) = A + (B) - 0.43R - 1.2d</p>
<p>SHAPE CODE 13</p>  <p>Total length (L) = A + 0.57B + (C) - 1.6d</p>	<p>SHAPE CODE 14</p>  <p>Total length (L) = A + (C)</p>	<p>SHAPE CODE 15</p>  <p>Total length (L) = A + (C)</p>	<p>SHAPE CODE 21</p>  <p>Total length (L) = A + B + (C) - r - 2d</p>
<p>SHAPE CODE 22</p>  <p>Total length (L) = A + B + 0.57C + (D) - 0.5r - 2.6d</p>	<p>SHAPE CODE 23</p>  <p>Total length (L) = A + B + (C) - r - 2d</p>	<p>SHAPE CODE 24</p>  <p>Total length (L) = A + B + (C)</p>	<p>SHAPE CODE 25</p>  <p>Total length (L) = A + B + (E)</p>
<p>SHAPE CODE 26</p>  <p>Total length (L) = A + B + (C)</p>	<p>SHAPE CODE 27</p>  <p>Total length (L) = A + B + (C) - 0.5r - d</p>	<p>SHAPE CODE 28</p>  <p>Total length (L) = A + B + (C) - 0.5r - d</p>	<p>SHAPE CODE 29</p>  <p>Total length (L) = A + B + (C)</p>
<p>SHAPE CODE 31</p>  <p>Total length (L) = A + B + C + (D) - 1.5r - 3d</p>	<p>SHAPE CODE 32</p>  <p>Total length (L) = A + B + C + (D) - 1.5r - 3d</p>	<p>SHAPE CODE 33</p>  <p>Total length (L) = 2A + 1.7B + 2(C) - 4d</p>	<p>SHAPE CODE 34</p>  <p>Total length (L) = A + B + C + (E) - 0.5r - d</p>
<p>SHAPE CODE 35</p>  <p>Total length (L) = A + B + C + (E) - 0.5r - d</p>	<p>SHAPE CODE 36</p>  <p>Total length (L) = A + B + C + (D) - r - 2d</p>	<p>SHAPE CODE 41</p>  <p>Total length (L) = A + B + C + D + (E) - 2r - 4d</p>	<p>SHAPE CODE 44</p>  <p>Total length (L) = A + B + C + D + (E) - 2r - 4d</p>
<p>SHAPE CODE 46</p>  <p>Total length (L) = A + 2B + C + (E)</p>	<p>SHAPE CODE 47</p>  <p>Total length (L) = 2A + B + 2(C) + 2q - 3r - 6d</p>	<p>SHAPE CODE 48</p>  <p>Total length (L) = 2A + B + 2(C) - r - 2d</p>	<p>SHAPE CODE 51</p>  <p>Total length (L) = 2(A + B + (C)) - 2.5r - 5d</p>
<p>SHAPE CODE 52</p>  <p>Total length (L) = 2(A + B) + 2(C) - 1.5r - 3d</p>	<p>SHAPE CODE 56</p>  <p>Total length (L) = A + B + C + (D) + 2(E) - 1.5r - 3d</p>	<p>SHAPE CODE 63</p>  <p>Total length (L) = 2A + 3B + 2(C) - 3r - 6d</p>	<p>SHAPE CODE 64</p>  <p>Total length (L) = A + B + C + 2D + E + (F) - 3r - 6d</p>
<p>SHAPE CODE 67</p>  <p>Total length (L) = A</p>	<p>SHAPE CODE 75</p>  <p>Total length (L) = π(A - d) + B + 25</p>	<p>SHAPE CODE 77</p>  <p>Total length (L) = Cπ(A - d) [C = No. of Turns]</p>	<p>SHAPE CODE 98</p>  <p>Total length (L) = A + 2B + C + (D) - 2r - 4d</p>