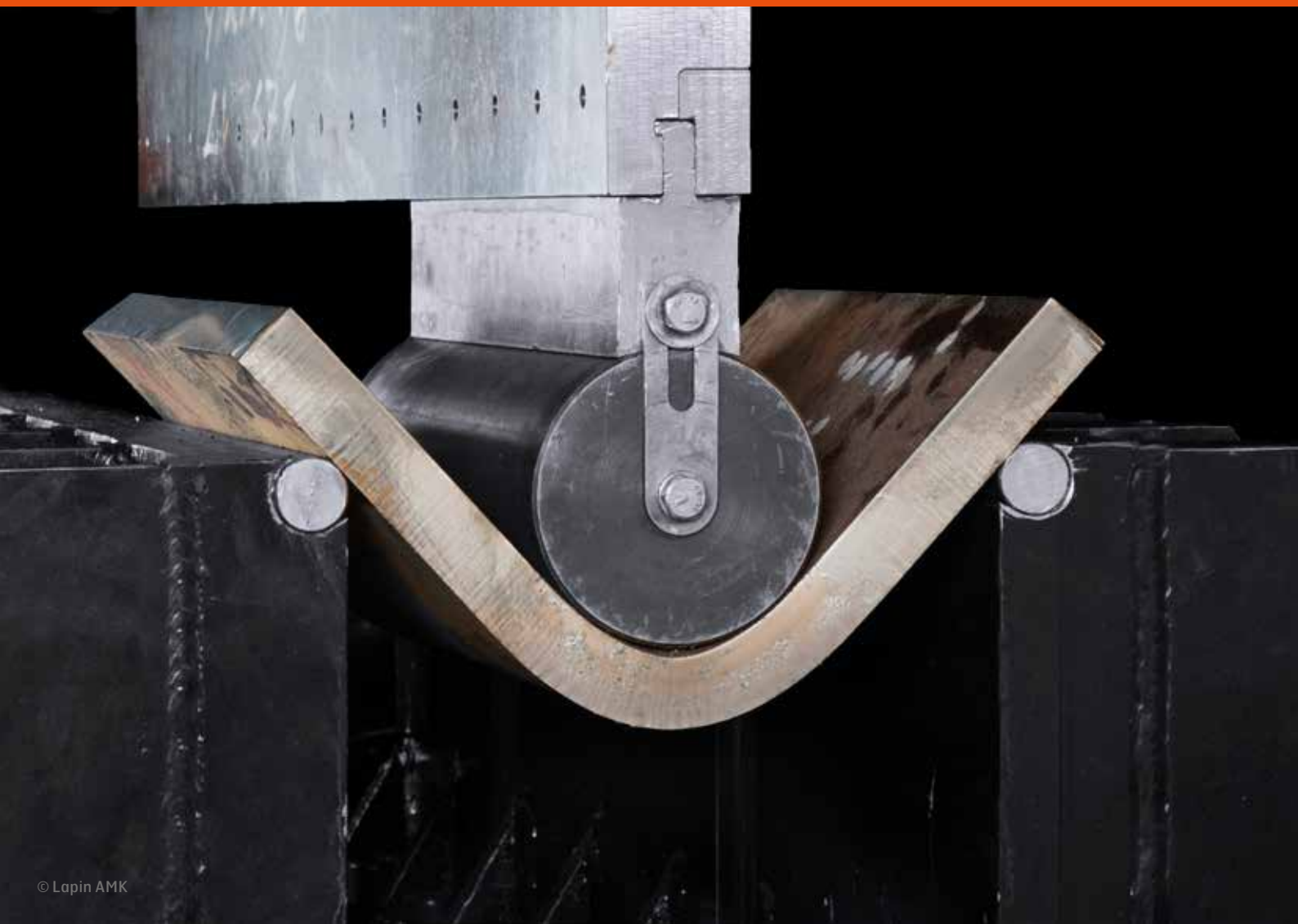


Raex[®] ABRASION
RESISTANT STEEL

BENDING AND MACHINING



YOUR WEAR DEMANDS COVERED

Raex abrasion resistant steel is designed for steel structures that are exposed to abrasive wear and tear. The wear resistance properties of Raex can significantly prolong the service life of your equipment, saving you time and money.

Raex extends the service life of steel structures by cutting down their weight in comparison to mild steel. Lighter components increase load capacity which saves fuel and reduces emissions by reducing the number of trucks in service.

CONTENTS

| | |
|--|----|
| INTRODUCTION | 3 |
| 1 BENDING METHODS | 4 |
| 2 PREPARATION BEFORE BENDING | 5 |
| 3 BENDING INSTRUCTIONS | 6 |
| 3.1 Bending instructions for the workshops | 6 |
| 3.2 Bending Force | 6 |
| 3.3 Minimum Bend Radius | 7 |
| 3.4 Separation of the plate to be bent | 8 |
| 4 MACHINABILITY | 9 |
| 4.1 Drilling | 9 |
| 4.2 Machine Tapping | 10 |
| 4.3 Sawing | 11 |
| 4.4 Milling and Turning | 12 |
| 5 OCCUPATIONAL SAFETY | 13 |

INTRODUCTION

Raex is born from carefully selected raw materials and made in a tightly controlled, integrated steel mill process. The result is reliable quality and dependable performance in hardness, bendability, surface quality and flatness. Raex steels are available as heavy plates and cut-to-length sheets in 300–500 HB hardness range. Raex is well appreciated in workshops thanks to its good cutting, welding and bending properties. It helps extend lifetime of machinery and enables new design possibilities to create lightweight products that improve energy efficiency.

The brochure describes the principles of free bending and bottoming and gives practical recommendations for bending of Raex. Generally, the need for bend force and the level of springback increase as the strength of steel increases. To obtain full advantage of good bendability

of Raex, careful workshop practices must be in place. Worn tools, poor lubrication, damaged surface and burrs on cut edges, may all impair bending quality. Plates taken from a cold storage must be allowed to warm up to room temperature before being cold formed.

In addition to bending instructions, this brochure compiles information and recommendations on machining of Raex, including the following methods:

- drilling
- thread cutting
- sawing
- milling and turning.



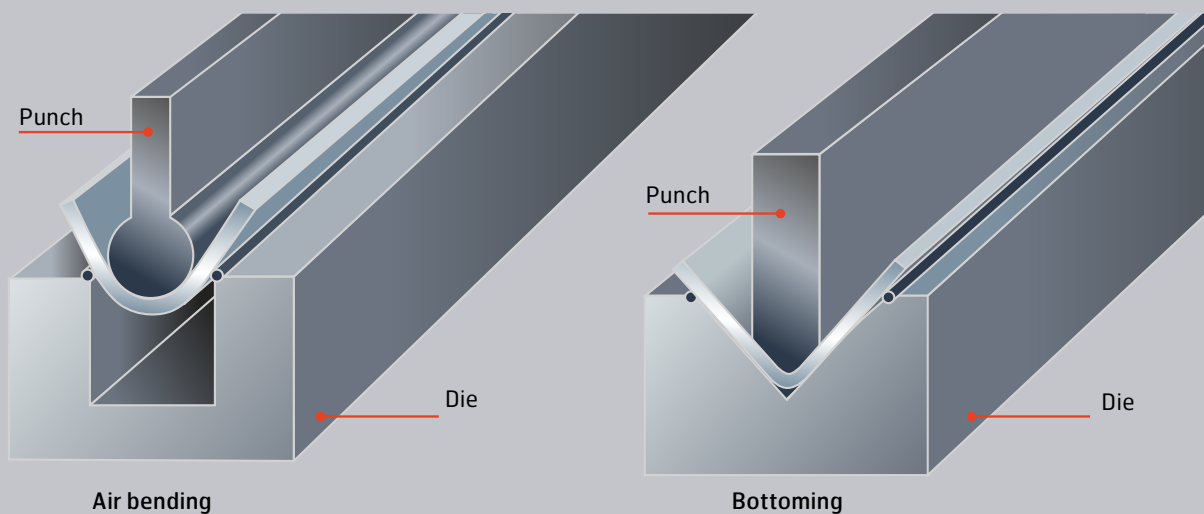
1 BENDING METHODS

The plate is bent to the designed angle or free bending radius in a press break between the punch and the die.

In air bending, the plate rests on the upper edges of the die gap for the entire duration of the pass. The required bending angle is obtained by adjusting the stroke length (Figure 1). The die gap width can be adjusted.

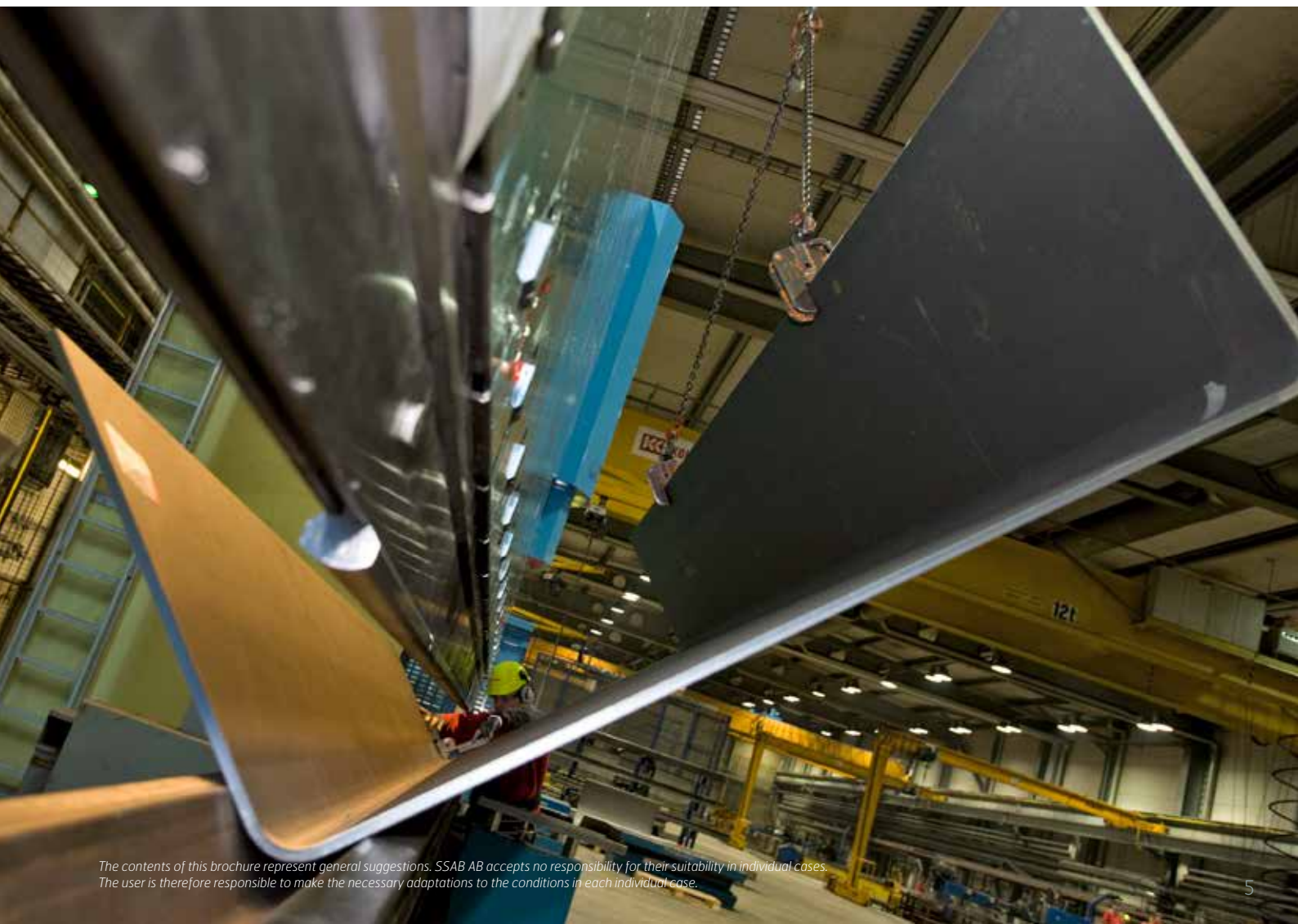
In bottoming, the stroke length is sufficient for the punch to press the plate entirely against the die. A shape matching the punch and die is formed in the plate (Figure 1). The die gap (V-groove) is fixed and its width cannot be adjusted.

FIGURE 1. BENDING METHODS AND TOOLS.



2 PREPARATION BEFORE BENDING

- The temperature of the plate must be a minimum of +20°C.
- It is recommended to bring plates stored in cold places indoors a day prior to bending operations.
- If required, the area to be bent must be heated using a gas flame.
- Preheating to +100 – +200°C reduces the required bending force and improves bendability in general.
- Identify the rolling direction of the plate.
- Possible surface defects must be ground away from the tension side face of the plate.
- Grind away defects on the cut edge of a thermally or mechanically cut plate, at least on the area to be bent.
- Excessive blast cleaning can have a negative effect on bendability. The recommendation for RAEX products are based on tests without a blasted surface.



3 BENDING INSTRUCTIONS

- Safety instructions must be followed in bending.
- The need for bending force, springback effect and the permitted bending radius increase as the strength of the steel increases.
- The bending radius should be as big as possible.
- Bending must be made in a single pass.
- The best possible workshop expertise can be obtained by combining theoretical and empirical data.
- Bending values are defined on the basis of test bending taking the degree of the springback effect into consideration.
- The springback effect in Raex 400 is 8° – 25° and in Raex 500 15° – 35°, depending on bending tool parameters. Wider die-gap results in bigger springback.
- Trial tests are always recommended.

3.1 BENDING INSTRUCTIONS FOR THE WORKSHOP

In practical bending or flanging, the punch diameter is defined on the basis of steel grade, plate thickness and bend radius. Table 1 presents smallest punch diameter (D) for Raex 400, Raex 450 and Raex 500 on the basis of plate thickness (t).

3.2 BENDING FORCE

The bending force (P, in metric tons) needed when bending of steel plates can be estimated using the following formula:

$$P = \frac{b \cdot t^2 \cdot R_m}{(W - R_d - R_p) \cdot 9800}$$

P = Bend force, metric tons

t = Plate thickness, mm

W = Die width, mm (figure 2)

b = Bend length, mm

R_m = Tensile strength, MPa (table 2)

R_d = Die entry radius, mm (figure 2)

R_p = Punch radius, mm

FIGURE 2. BENDING TRANSVERSE TO THE ROLLING DIRECTION IS RECOMMENDED.

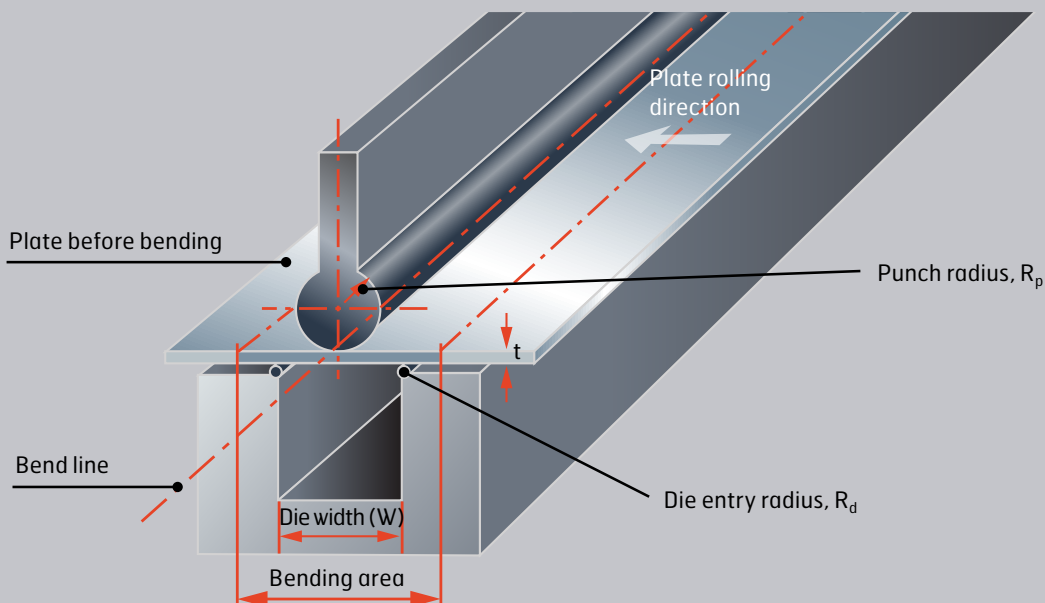


TABLE 1. RAEX ABRASION-RESISTANT STEELS. BENDING INSTRUCTIONS FOR THE WORKSHOP.
Selection of the minimum allowed punch diameter for Raex on the basis of plate thickness

| Plate thickness | RAEX 400 | | RAEX 450 | | | | RAEX 500 | | | |
|-----------------|--|--|--|-------|--|-------|--|-------|--|-------|
| | Smallest punch diameter D (mm) to be transversely bent | Smallest punch diameter D (mm) to be longitudinally bent | Smallest punch diameter D (mm) to be transversely bent | | Smallest punch diameter D (mm) to be longitudinally bent | | Smallest punch diameter D (mm) to be transversely bent | | Smallest punch diameter D (mm) to be longitudinally bent | |
| | Strip/Plate | Strip/Plate | Strip | Plate | Strip | Plate | Strip | Plate | Strip | Plate |
| 2 | 12 | 16 | 12 | | 16 | | | | | |
| 2.5 | 15 | 20 | 15 | | 20 | | 17.5 | | 20 | |
| 3 | 18 | 24 | 18 | | 24 | | 21 | | 24 | |
| 4 | 24 | 32 | 24 | | 32 | | 28 | | 32 | |
| 5 | 30 | 40 | 30 | | 40 | | 35 | | 40 | |
| 6 | 36 | 48 | 36 | 48 | 48 | 60 | 42 | 60 | 48 | 72 |
| 7 | 42 | 56 | 42 | 56 | 56 | 70 | 49 | 70 | 56 | 84 |
| 8 | 48 | 64 | 48 | 64 | 64 | 80 | | 80 | | 96 |
| 9 | 54 | 72 | | 72 | | 90 | | 90 | | 108 |
| 10 | 60 | 80 | | 80 | | 100 | | 100 | | 120 |
| 11 | 66 | 88 | | 88 | | 110 | | 110 | | 132 |
| 12 | 72 | 96 | | 96 | | 120 | | 120 | | 144 |
| 13 | 78 | 104 | | 104 | | 130 | | 130 | | 156 |
| 14 | 84 | 112 | | 112 | | 140 | | 140 | | 168 |
| 15 | 90 | 120 | | 120 | | 150 | | 150 | | 180 |
| 16 | 96 | 128 | | 128 | | 160 | | 160 | | 192 |
| 17 | 102 | 136 | | 136 | | 170 | | 170 | | 204 |
| 18 | 108 | 144 | | 144 | | 180 | | 180 | | 216 |
| 19 | 114 | 152 | | 152 | | 190 | | 190 | | 228 |
| 20 | 120 | 160 | | 160 | | 200 | | 200 | | 240 |

¹⁾ Bending line vs. plate rolling direction.

When bending in V groove (90°) the recommended die width and plate thickness ratio is W/t = 15.

Typical tensile strength of Raex steels is presented in table 2.

TABLE 2. RAEX ABRASION-RESISTANT STEELS. TYPICAL TENSILE STRENGTH AND HARDNESS VALUES.

| Raex grade | Tensile strength R _m (MPa) | Hardness (HBW) |
|------------|---------------------------------------|----------------|
| Raex 300 | 1000 | 300 |
| Raex 400 | 1250 | 400 |
| Raex 450 | 1450 | 450 |
| Raex 500 | 1600 | 500 |



3.3 MINIMUM BEND RADIUS

Table 3 shows the minimum bending radii for Raex abrasion-resistant steels. In practical bending or flanging in the engineering works, it is recommendable to use inside bending radii which are greater than the minimum allowed bending radii. In addition to the steel plate, the quality of the bend depends on the bending tools and the performance of the work. Successful bending requires good engineering workshop technology from the steel product processor. Worn-out tools, insufficient lubrication, scratches on the steel surface and burr compromise the quality of the cold forming process.

TABLE 3. RAEX ABRASION-RESISTANT STEELS. MINIMUM BEND RADIUS R, BEND ANGLE ≤ 90 .

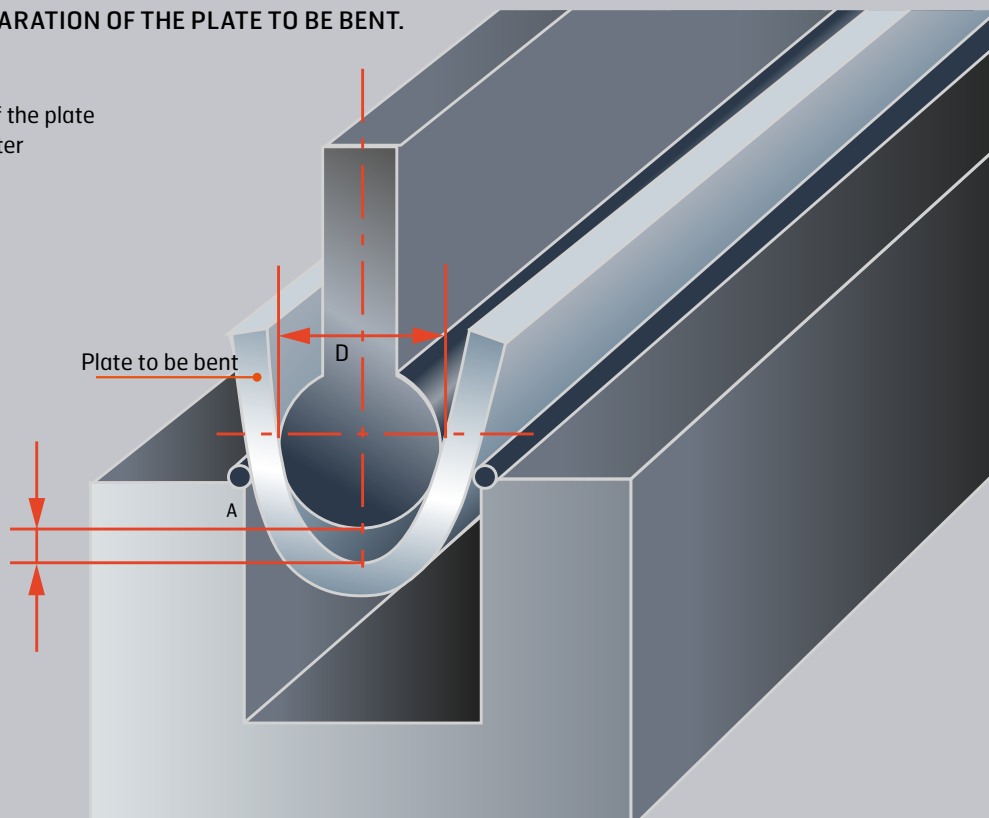
| Raex grade | Product form | Thickness (mm) | R/t minimum transverse | R/t minimum longitudinal | Die opening width W/t minimum |
|------------|--------------|----------------|------------------------|--------------------------|-------------------------------|
| Raex 300 | Sheet | 2 – 8 | 3 | 3 | 12 |
| Raex 400 | Sheet | 2 – 8 | 3 | 4 | 12 |
| | Plate | 6 – 20 | 3 | 4 | 14 |
| Raex 450 | Sheet | 2 – 8 | 3 | 4 | 12 |
| | Plate | 6 – 20 | 4 | 5 | 14 |
| Raex 500 | Sheet | 2.5 – 7 | 3.5 | 4 | 14 |
| | Plate | 6 – 20 | 5 | 6 | 14 |

3.4 SEPARATION OF THE PLATE TO BE BENT

Figure 3 shows the separation (A) of the plate to be bent from the circle of the punch diameter (D). The separation is well-known for the engineering works that are using high strength steels. Generally, the accuracy of the final bend angle is more important than the radius of the work piece. If the exact bend radius is desired, too, trial bending has to be carried out. As a result of the trial bending, a punch radius is selected that produces a final bend angle matching the target value. In practice, the punch radius is a little bit larger than the final bending radius of the steel.

FIGURE 3. SEPARATION OF THE PLATE TO BE BENT.

A = Separation of the plate
D = Punch diameter





4 MACHINABILITY

GENERAL INSTRUCTIONS FOR MACHINING:

- The machine must be rigid and stable.
- Clamp the workpiece as rigidly and close to the area to be cut as possible.
- Long tool holders and spindle overhangs must be avoided.
- No harmful vibration may occur during any stage of machining.
- Particular caution must be exercised when starting a cutting operation.
- Grind away any rough edges on a thermally cut plate in the area where the first cut is started.
- Sufficient feed and depth of cut must be used.
- Provide a generous flow of cutting fluid.
- Lower the cutting speed in dry cutting.
- When machining abrasion-resistant steels on a regular basis, hard metal tools should be selected using the manufacturers' data sheets.

4.1 DRILLING

Recommended drilling parameters for non-alloyed high-speed steel (HSS) drills and cobalt-alloyed HSS drills are presented in tables 4, 5 and 6. Additionally, recommended drilling parameters for the steel grade Raex 500 using solid cemented carbide drills are included in table 6. Raex 400 and Raex 450 can be drilled with HSS drills. For drilling of Raex 500 hard metal drills are recommended.

GENERAL INSTRUCTIONS FOR DRILLING:

- The drilling machine has to be rigid and stable in order to minimize vibrations.
- Clamp the workpiece securely and close to the area to be machined.
- Short-hole drills are recommended.
- The service life of the drilling tool can be prolonged by decreasing the feed.
- Provide an abundant supply of cutting fluid.

TABLE 4. RAEX 400. RECOMMENDED DRILLING PARAMETERS.

| | Drill diameter (mm) | Feed rate (mm/rev) | Feed rate (mm/minute) | Cutting speed (m/minute) | Speed of rotation (rpm) |
|-----------------------|------------------------|-----------------------|--------------------------|-----------------------------|----------------------------|
| Uncoated HSS drill | 5 | 0.10 | 60–80 | 9–12 | 600–800 |
| | 15 | 0.20 | 40–50 | 9–12 | 200–250 |
| | 25 | 0.25 | 30–40 | 9–12 | 110–150 |
| Uncoated HSS-Co drill | 5 | 0.10 | 70–100 | 12–15 | 800–950 |
| | 15 | 0.20 | 50–70 | 12–15 | 250–320 |
| | 25 | 0.20 | 25–30 | 9–12 | 110–150 |

TABLE 5. RAEX 450. RECOMMENDED DRILLING PARAMETERS.

| | Drill diameter (mm) | Feed rate (mm/rev) | Feed rate (mm/minute) | Cutting speed (m/minute) | Speed of rotation (rpm) |
|-----------------------|------------------------|-----------------------|--------------------------|-----------------------------|----------------------------|
| Uncoated HSS drill | 5 | 0.08 | 40–50 | 8–10 | 500–650 |
| | 15 | 0.20 | 35–45 | 8–10 | 170–210 |
| | 25 | 0.25 | 25–35 | 8–10 | 100–130 |
| Uncoated HSS-Co drill | 5 | 0.10 | 60–75 | 8–10 | 600–750 |
| | 15 | 0.20 | 35–45 | 8–10 | 170–210 |
| | 25 | 0.20 | 15–20 | 6–8 | 75–100 |

TABLE 6. RAEX 500. RECOMMENDED DRILLING PARAMETERS.

| | Drill diameter (mm) | Feed rate (mm/rev) | Feed rate (mm/minute) | Cutting speed (m/minute) | Speed of rotation (rpm) |
|------------------------------|------------------------|-----------------------|--------------------------|-----------------------------|----------------------------|
| Uncoated HSS drill | 5 | 0.10 | 25 | 4 | 250 |
| | 15 | 0.15 | 15 | 4 | 85 |
| | 25 | 0.15 | 8 | 4 | 50 |
| Uncoated HSS-Co drill | 5 | 0.10 | 25–35 | 4–6 | 250–380 |
| | 15 | 0.15 | 15–20 | 4–6 | 80–130 |
| Solid cemented carbide drill | 16 | 0.15 | 120 | 40 | 800 |



4.2 MACHINE TAPPING

For thread cutting, micro-alloyed HSS-E or cobalt-alloyed HSS-Co taps with four cutting edges are recommended. The best result is obtained by using cutting oil or paste. When the strength of the joint is not critical, thread holes approximately 3–5 percent larger than the standard values are recommended. A larger hole diameter will significantly increase tool life. During the threading pass, unobstructed chip removal must be secured without reversing the tool or alternating the direction of rotation. Shallow holes should be threaded using appropriate taps, see table 7.

TABLE 7. RAEX. MACHINE TAPPING, HSS-E TAP.

| | Cutting speed (m/min) | Tap size | | | | | |
|----------|--------------------------|-------------------------------|-------------------------------|-------------------------------|-------------------------------|-------------------------------|-------------------------------|
| | | M10 Spindle speed (rpm) | M16 Spindle speed (rpm) | M20 Spindle speed (rpm) | M24 Spindle speed (rpm) | M30 Spindle speed (rpm) | M42 Spindle speed (rpm) |
| Raex 400 | 3.6 | 115 | 80 | 63 | 53 | 42 | 30 |
| Raex 500 | 1.6 | 50 | 40 | 32 | 25 | 21 | 15 |

4.3 SAWING

When selecting the sawing machine and blade, the high hardness and strength of the steels should be taken into account. A generous flow of cutting fluid should be provided. In band sawing, the best results are achieved with an asymmetric tooth pitch, see table 8.

GENERAL INSTRUCTION FOR BAND SAWING:

- The blade must be supported and tensioned adequately.
- The burr and hardened layer caused by flame cutting should be ground away from the area where sawing is started.
- Long chip removal distances should be avoided, for example by clamping the workpiece rigidly in a slanting position.
- If the cutting length cannot be reduced, a blade with a coarser tooth pitch can be used.
- The tooth pressures should be reasonably high.
- Blade noise can be eliminated by adjusting the cutting speed.
- Sawing should always be started using manual feed, and the feed should be adjusted to bring the blade into sufficiently stable contact.
- The hardness and strength of the workpiece should be taken into account when adjusting the feed.
- A generous flow of cutting fluid ensures that the blade remains wet throughout the run.
- Tooth damage is in part caused during the exit phase, when the blade wedges, jams, bites and jitters.

TABLE 8. RAEX. CUTTING DATA FOR SAWING.

| | Cutting speed m/min Cutting length mm | | |
|----------|--|-----|-----|
| | 100 | 200 | 300 |
| Raex 400 | 60 | 50 | 40 |
| Raex 500 | 40 | 35 | 30 |

4.4 MILLING AND TURNING

The most common milling operation in the abrasion-resistant steels is roughing. The milling machine must be rigid and of heavy construction. It is necessary to use coated hard metal tools. In terms of cutting data, turning is in principle similar to milling, see table 9.

GENERAL INSTRUCTIONS FOR MILLING:

- A generous flow of cutting fluid should be provided.
- Start milling operations carefully.
- The burr and hardened layer caused by flame cutting should be ground away from the area where the milling is started.
- When rough milling, the first cut should be thick enough to keep the cutting edge from dragging on the scaly, hardened surface of the workpiece.

TABLE 9. RAEX. CUTTING DATA FOR ROUGH MILLING.

| Wet rough milling | Indexable insert P40 | | |
|-------------------|-----------------------|-----------------|-------------------|
| | Cutting speed (m/min) | Feed (mm/tooth) | Depth of cut (mm) |
| Raex 400 | 75–90 | 0.1–0.2 | 2–5 |
| Raex 500 | 60–75 | 0.1–0.15 | 1–4 |

Optimal conditions allow using up to 50% higher cutting data.

For dry milling, 20–30% lower values are recommended.

5 OCCUPATIONAL SAFETY

Special care has to be taken in processing and handling of ultra-high strength steels. If bend radius, for example, is too small and a crack is created in bending point, the plate may fly from the bending tool in the direction of the bend. Those bending the plate must take appropriate precautions to protect themselves and no outsiders are allowed in the area.

The safest location is usually by the bending machine. The handling instructions of the steel supplier and safety instructions of the workshop must be adhered to in detail. New employees must receive appropriate training before they are allowed to process with ultra-high strength steels.

CONTACT